

WeldFil Compact

Art. No.: 3485 540



Applications

- High levels of smoke and dust
- Welding and grinding shops
- Training centres and robotic welding lines
- Laser, plasma and flame cutting systems
- Can be installed outdoors

Benefits

- Contamination-free dust collection due to compressed air fixation of dust collection containers
- Uninterrupted continuous operation due to automatic differential pressure-controlled filter cleaning
- Little noise emission due to a low noise level
- Quick and simple set up, delivered ready to plug in with forklift pockets and lifting eyes *1
- Considerable energy cost savings by using the automatic extraction volume control
- Flexible integration of the control system into third-party systems such as cutting equipment due to potential-free contacts *2
- Best health protection for employees by use of KemTex® ePTFE cartridges with surface filtration

Properties

- Automatic filter cleaning, pressure-controlled
- Control via touch screen
- W3/IFA certified
- KemTex® ePTFE filter cartridges
- Dust collection container with pneumatic lifting device
- Automatic extraction volume control (optional)

Accessories

- Automatic extraction volume control
- External On/Off
- Fleet management, remote maintenance and pre-noise maintenance using autarkic networking via mobile radio to the KEMPER cloud
- Spark separator – SparkTrap
- Weatherproof housing for outdoor installation



Technical Data

Filter

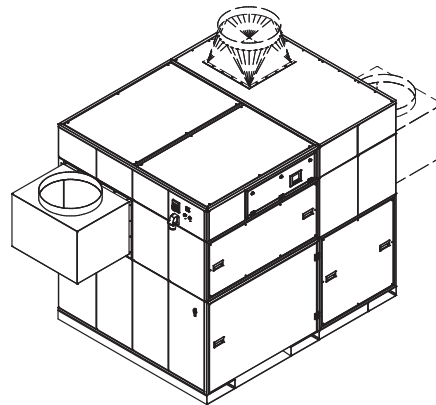
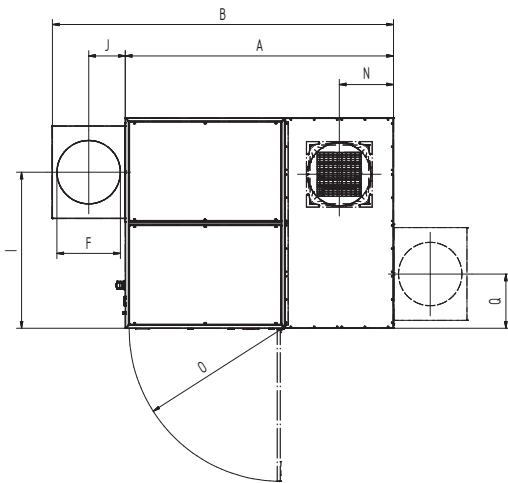
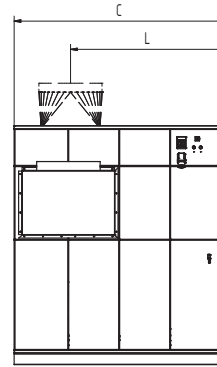
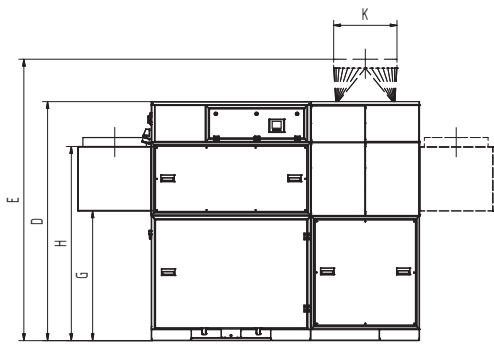
Filter stages	1
Filter method	Cleanable filter
Filter cleaning method	Rotating nozzle
Filter surface	108 ft ²
Filter surface total	1292 ft ²
Type of filter	Filter cartridge
Filter material	ePTFE membrane
Filter efficiency	> 99.99 %
Dust classification	M

Basic data

Max. fan performance	7062 cfm
Extraction capacity	3531 - 5085 cfm
Vacuum	10 - 8 inch WC
Weight	2690 lbs
Motor power	10.06 hp
Power supply	3 x 600 V / 60 Hz
Rated current	
Noise level	65 dB(A)

Additional information

Fan type	Impeller, direct driven
Compressed air supply	73 - 87 PSI
Air outlet	
Air intake	
Capacity Dust collection container	50 gal



Technical Data

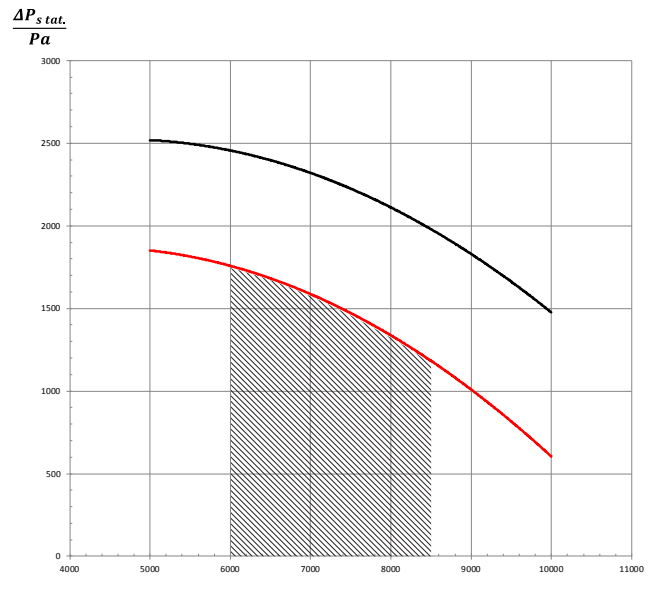
Dimensions

A	93.6 in
B	119.2 in
C	73.4 in
D	83.1 in
E	98.8 in
F	22 in
G	45.1 in
H	67.6 in
I	54.4 in
J	12.8 in
K	22 in
L	53.7 in
N	18.9 in
O	53 in

The shown transition pieces are optional

Pressure-volume graph

- Fan characteristic curve
- Working pressure increase
- ▨ Recommended Use



$\vec{v} / m^3/h$