

PlasmaFil

Art. No.: 22 261 550



Applications

- Medium levels of smoke and dust
- Specifically suited for plasma or flame cutting processes

Benefits

- Contamination-free dust collection due to lever fixing of the dust collection container
- Considerable energy cost savings by using the optional automatic volume control through demand-based extraction capacity regulation
- Uninterrupted continuous operation due to automatic, demand-oriented filter cleaning

Properties

- Automatic filter cleaning on required basis
- Highly effective and uniform filter cleaning by means of rotary nozzle
- Quick and easy installation thanks to user-friendly preparation
- Low space requirement due to compact design
- Easy to use: Intuitive & ergonomic one-button operation

Accessories

- Automatic start/stop using contact
- Dosing unit for pre-coating the filter cartridges
- Automatic suction power regulation
- Spark separator – SparkTrap



Technical Data

Filter

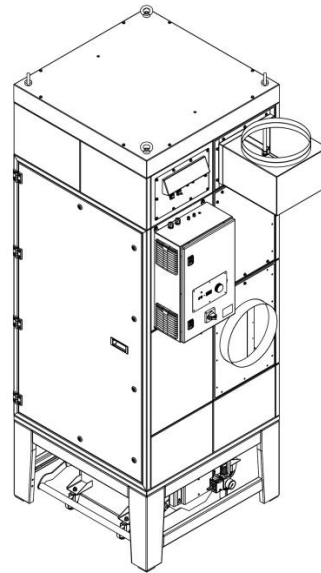
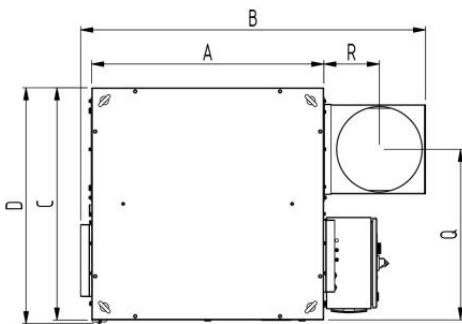
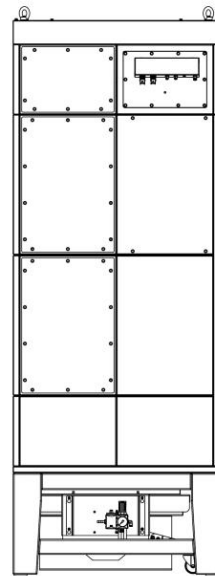
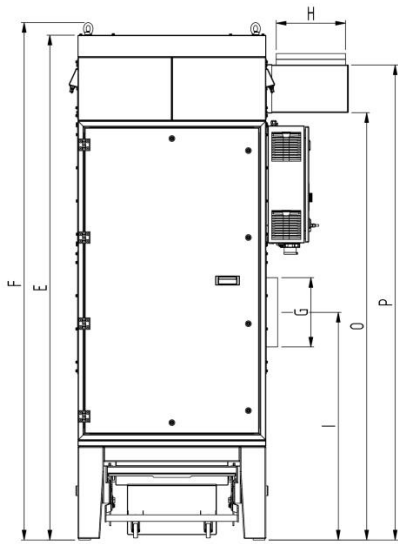
Filter stages	1
Filter method	Cleanable filter
Filter cleaning method	Rotating nozzle
Filter surface	3 x 323 + 1 x 161 ft ²
Number filter elements	4
Filter surface total	1130 ft ²
Type of filter	Filter cartridge
Filter material	ePTFE membrane
Filter efficiency	> 99.99 %

Basic data

Max. fan performance	4473 cfm
Extraction capacity	2236 - 3237 cfm
Vacuum	13 - 7 inch WC
Weight	1319 lbs
Motor power	10.06 hp
Power supply	3 x 460 V / 60 Hz
Rated current	13.6 A
Noise level	75 dB(A)

Additional information

Fan type	Radial fan, direct driven
Compressed air supply	73 - 87 PSI
Air outlet	
Air intake	
Capacity Dust collection container	18 gal



Technical Data

Dimensions

A	37.9 in
B	54.5 in
C	37.9 in
D	38.5 in
E	101.8 in
F	104.3 in
G	14 in
H	14 in
I	45.9 in
O	86.1 in
P	95.8 in
Q	27.8 in
R	9.1 mm

The shown transition pieces are optional