

MaxiFil Clean

Art. No.: 67 252 100



Technical Data

| Filter | |
|-----------------------------|--|
| Filter method | Cleanable filter |
| Filter cleaning method | Rotating nozzle |
| Filter surface | 161 ft ² |
| Type of filter | Filter cartridge |
| Filter material | ePTFE membrane |
| Filter efficiency | > 99,9 % |
| Dust classification | M |
| Additional filters | Spark pre-separator made of aluminium mesh |
| Basic data | |
| Extraction capacity | 853 cfm |
| Max. fan performance | 2648 cfm |
| Maximum vacuum | 13 inch WC |
| Dimensions (w x t x h) | 32,8 x 38,3 x 53,1 in |
| Weight | 435 lbs |
| Motor power | 2,2 kW |
| Motor power | 2.95 hp |
| Power supply | 3 x 600 V / 60 Hz |
| Rated current | 4.4 A |
| Control voltage | 24 V, DC |
| Noise level | 73 dB(A) |
| Additional information | |
| Fan type | Radial fan |
| Compressed air supply | 73 - 87 PSI |
| Quantity of extraction arms | 1 |
| Exhaust arm type | flexible exhaust arm |
| Diameter extraction arm | 6 in |
| Length of exhaust arm | 7 ft |

Applications

- Suitable for all materials, including high-alloy steel
- High levels of smoke and particles
- Non-stop operation

Benefits

- Safe operation by rotation field control
- Exhaust arm requires less adjustment due to flow-optimised exhaust hood design
- Increased safety due to filter monitoring
- Very economic due to long lasting high capacity filters

Properties

- Automatic filter cleaning
- Exhaust arm up to 13 ft
- Cleanable filter
- Rotating exhaust hood
- Easy to use: Intuitive & ergonomic one-button operation
- Disposal of welding fumes in disposable bags
- Spark pre-separator made of aluminium mesh

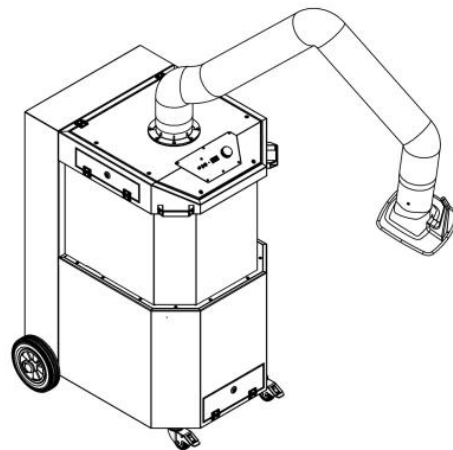
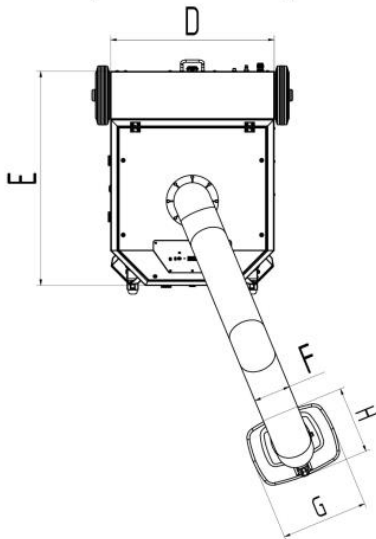
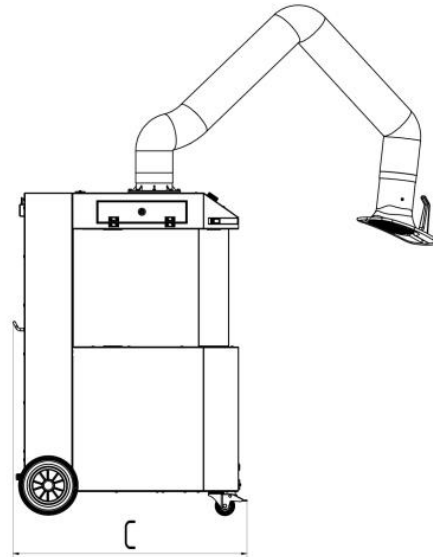
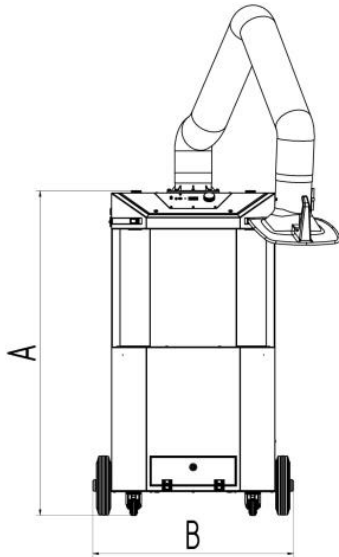
Accessories

- Automatic start-stop
- Workplace lighting incl. on/off switch at the hood



Suitable for alveole exchangeable dusts
separation > 99 % of particles < 0,4 µm





Technical Data

Dimensions

| | |
|---|---------|
| A | 53.1 in |
| B | 32.8 in |
| C | 38,3 in |
| D | 26,8 in |
| E | 35 in |
| F | 5,9 in |
| G | 14,2 in |
| H | 11,6 in |